

Rotelle Ø12

Materiale: carburo di tungsteno

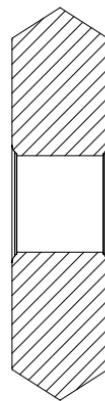
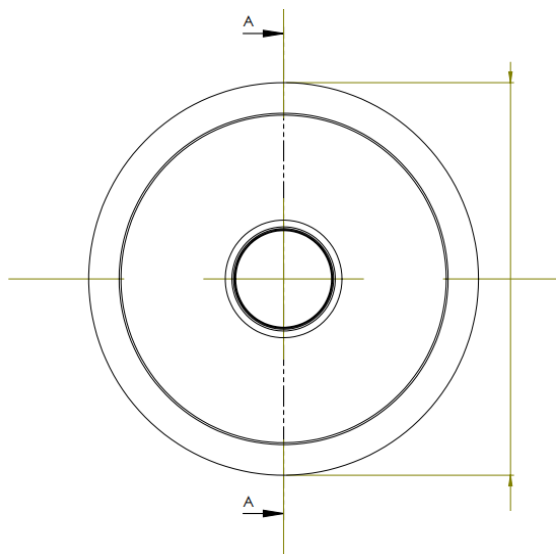
Misure : diametro 12mm/ foro 3,0mm/ spessore 3,0mm

Gradi di affilatura disponibili: 110°, 121°, 135°, 140°, 145°

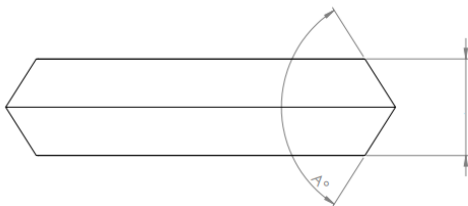
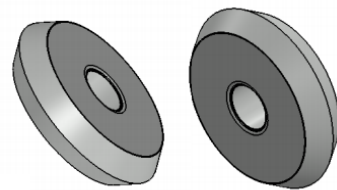
Finitura: SC, semi course

Utilizzo: per taglio gres porcellanato

| D-RO1203030 - profilo standard | | |
|--------------------------------|---------------------|------|
| D-RO12030R110 | 12,0 x 3,0 x 3,0 mm | 110° |
| D-RO12030R121 | 12,0 x 3,0 x 3,0 mm | 121° |
| D-RO12030R135 | 12,0 x 3,0 x 3,0 mm | 135° |
| D-RO12030R140 | 12,0 x 3,0 x 3,0 mm | 140° |
| D-RO12030R145 | 12,0 x 3,0 x 3,0 mm | 145° |



SEZIONE A-A



Rotelle Ø12 ribassate

Materiale: carburo di tungsteno

Misure : diametro 12mm / foro 3,0mm/ spessore 3,0mm/ ribassata 1,8mm

Gradi di affilatura disponibili: 110°, 115°, 121°, 135°, 140°, 145°

Finitura: SC, semi course

Utilizzo: per taglio gres porcellanato

| D-RO12030RI20 - ribassate | | |
|---------------------------|---------------------|------|
| D-RO12030RI20R110 | 12,0 x 3,0 x 3,0 mm | 110° |
| D-RO12030RI20R121 | 12,0 x 3,0 x 3,0 mm | 121° |
| D-RO12030RI20R135 | 12,0 x 3,0 x 3,0 mm | 135° |
| D-RO12030RI20R140 | 12,0 x 3,0 x 3,0 mm | 140° |
| D-RO12030RI20R145 | 12,0 x 3,0 x 3,0 mm | 145° |

