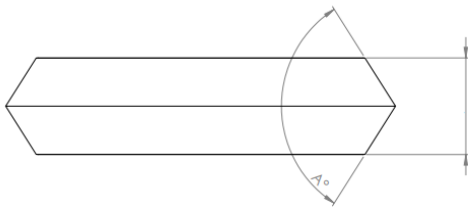
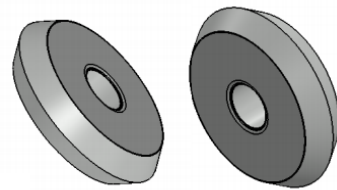
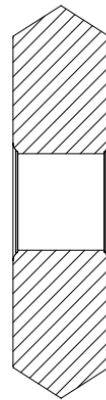
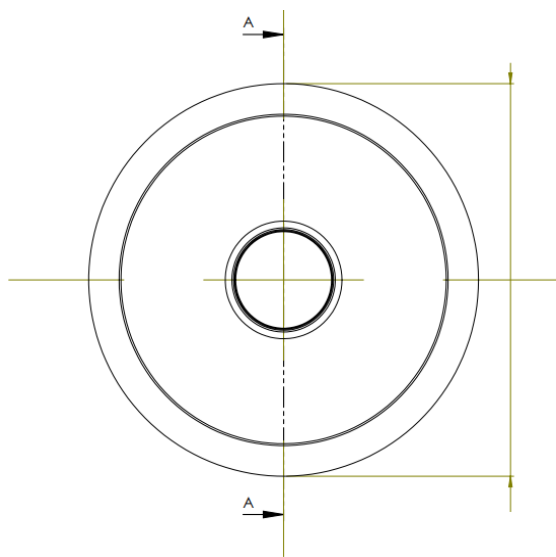


Cutting wheel Ø20

D-RO1205030 - standard profile		
D-RO205030R110	20,0 x 5,0 x 3,0 mm	110°
D-RO205030R121	20,0 x 5,0 x 3,0 mm	121°
D-RO205030R135	20,0 x 5,0 x 3,0 mm	135°



D-RO205030R20 - low profile

D-RO205030R20R110	20,0 x 3,0 x 1,8 mm	110°
D-RO205030R20R115	20,0 x 3,0 x 1,8 mm	115°
D-RO205030R20R121	20,0 x 3,0 x 1,8 mm	121°
D-RO205030R20R135	20,0 x 3,0 x 1,8 mm	135°
D-RO205030R20R140	20,0 x 3,0 x 1,8 mm	140°

