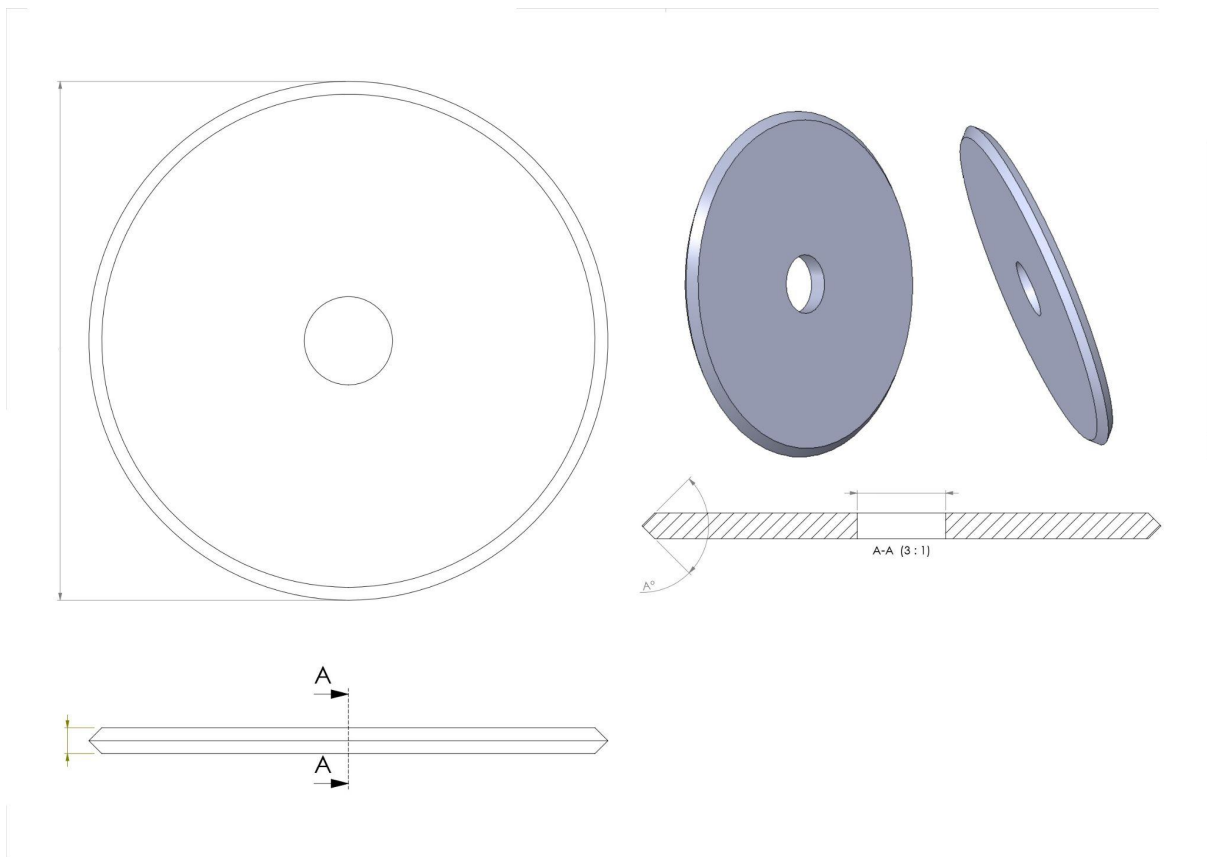


cutting wheel Ø60

D-R06001030 - standard profile		
D-RO60010R110	60,0 x 10,0 x 3,0 mm	110°
D-RO60010R121	60,0 x 10,0 x 3,0 mm	121°
D-RO60010R135	60,0 x 10,0 x 3,0 mm	135°



R06001030 - low profile		
RO60010R110	60,0 x 10,0 x 3,0 mm	110°
RO60010R121	60,0 x 10,0 x 3,0 mm	121°
RO60010R135	60,0 x 10,0 x 3,0 mm	135°

