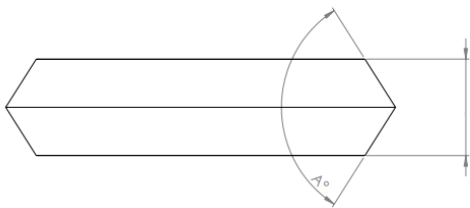
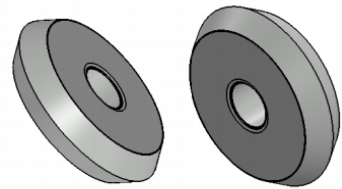
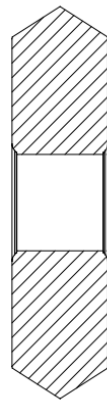
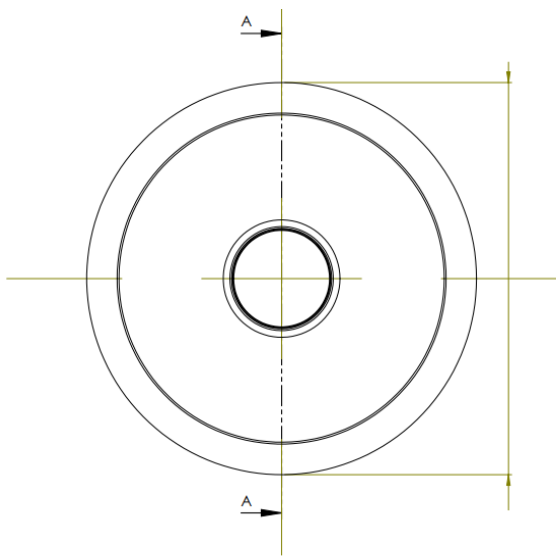


# Cutting wheel Ø12

D-RO1203030 - standard profile		
D-RO12030R110	12,0 x 3,0 x 3,0 mm	110°
D-RO12030R121	12,0 x 3,0 x 3,0 mm	121°
D-RO12030R135	12,0 x 3,0 x 3,0 mm	135°
D-RO12030R140	12,0 x 3,0 x 3,0 mm	140°
D-RO12030R145	12,0 x 3,0 x 3,0 mm	145°



D-RO12030RI20 - low profile		
D-RO12030RI20R110	12,0 x 3,0 x 3,0 mm	110°
D-RO12030RI20R121	12,0 x 3,0 x 3,0 mm	121°
D-RO12030RI20R135	12,0 x 3,0 x 3,0 mm	135°
D-RO12030RI20R140	12,0 x 3,0 x 3,0 mm	140°
D-RO12030RI20R145	12,0 x 3,0 x 3,0 mm	145°

